



Slide Gate - OSCAR

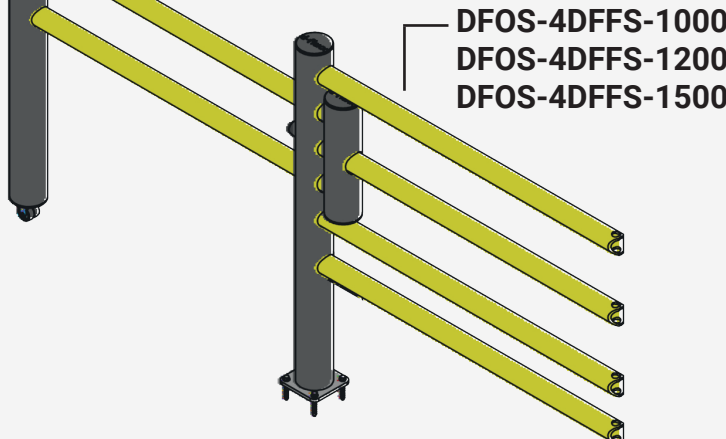
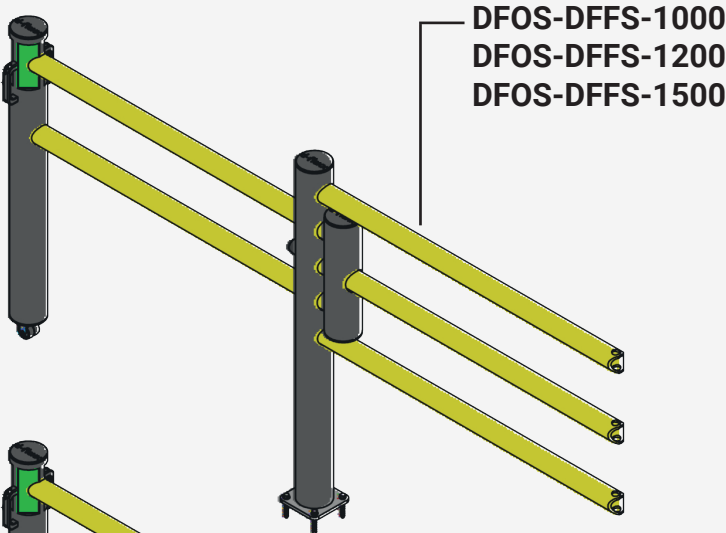
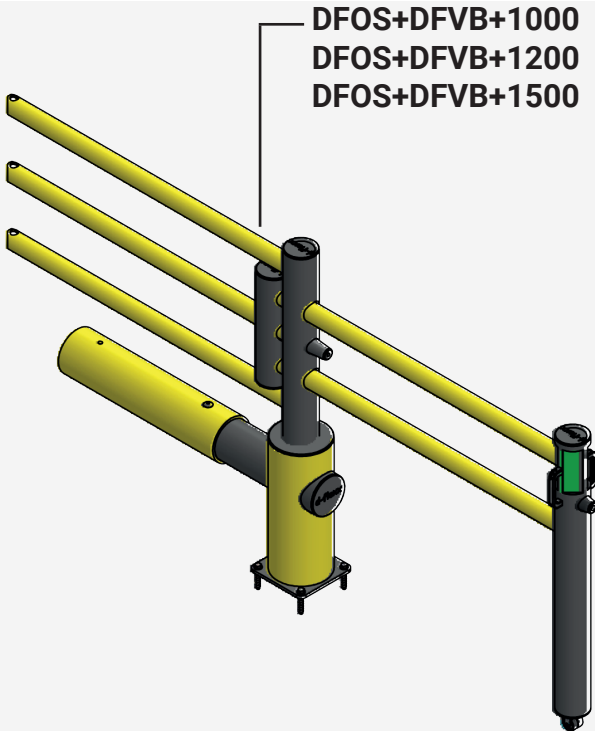


Table of contents

Art. No.	Description	Width	Weight	Page
DFOS+DFVB+1000	Slide Gate Oscar for Echo	2520,63 mm	57,42 kg	3
DFOS+DFVB+1200	Slide Gate Oscar for Echo	2909 mm	59,20 kg	3
DFOS+DFVB+1500	Slide Gate Oscar for Echo	3521 mm	61,94 kg	4
DFOS-DFFS-1000	Slide Gate Oscar for Delta	2508,38 mm	42,34 kg	4
DFOS-DFFS-1200	Slide Gate Oscar for Delta	2933 mm	44,40 kg	5
DFOS-DFFS-1500	Slide Gate Oscar for Delta	3533 mm	44,93 kg	5
DFOS-4DFFS-1000	Slide Gate Oscar for Delta 4 beams	2533 mm	44,40 kg	6
DFOS-4DFFS-1200	Slide Gate Oscar for Delta 4 beams	2933 mm	45,65 kg	6
DFOS-D4FFS-1500	Slide Gate Oscar for Delta 4 beams	3533 mm	47,53 kg	7

Technical Information

Material properties

Operational temperature range	-40° up to + 50°
Ignition Temperature	350 - 360°C
Flash Point	350 - 360°C
Toxicity	Nontoxic
Chemical Resistance	high - ISO/TR 10358
Hygiene Seals	Non
Standard Warranty	5 years

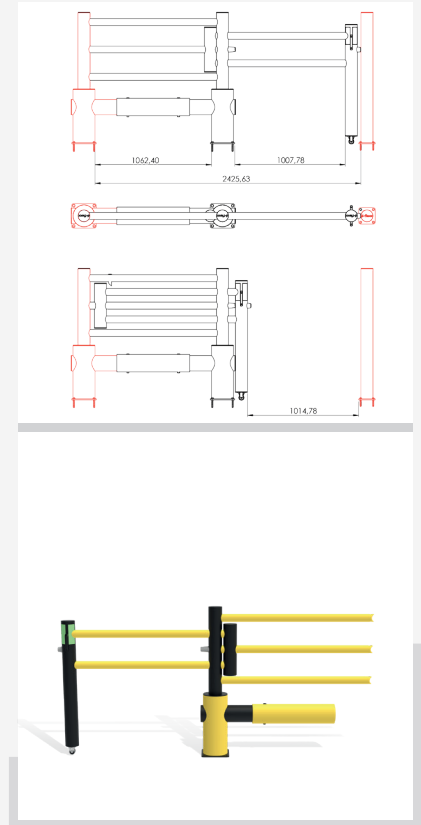
Deflection Zone:

I 250 mm



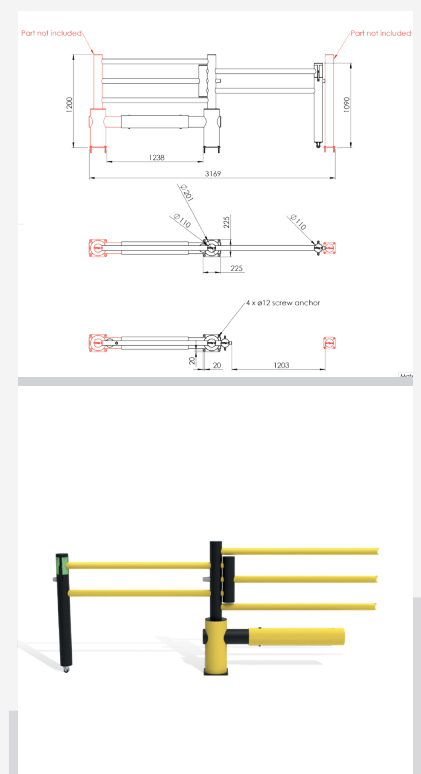
DFOS+DFVB+1000

Article description	Slide Gate for Echo
Item number	DFOS+DFVB+1000
EAN	4250912396418
Customs tariff number	39269097
Width (mm)	2520,63
Height (mm)	1200
Depth/Length (mm)	225
Installation width (mm)	2225,63
Width without foot plate (mm):	2520,63
Depth without foot plate (mm):	200
Deflection zone (mm)	250
Tested to withstand force (Joule):	N/A
Net weight	57,42 kg
Material	Polyethylene
Color	Yellow RAL 1018 - black
Area of application	Indoor and outdoor use
Fixing	Fixing Material included. 4 x concrete screw M12x80



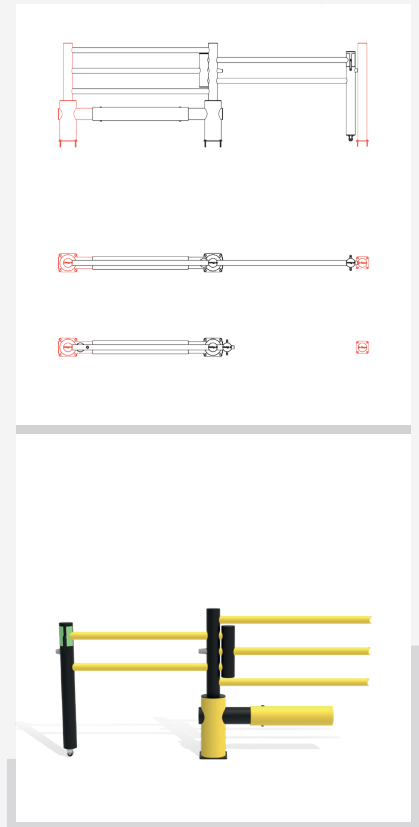
DFOS+DFVB-1200

Article description	Slide Gate for Echo
Item number	DFOS+DFVB+1200
EAN	4250912396425
Customs tariff number	39269097
Width (mm)	2909
Height (mm)	1200
Depth/Length (mm)	225
Installation width (mm)	2614
Width without foot plate (mm):	2909
Depth without foot plate (mm):	200
Deflection zone (mm)	250
Tested to withstand force (Joule):	N/A
Net weight	59,20 kg
Material	Polyethylene
Color	Yellow RAL 1018 - black
Area of application	Indoor and outdoor use
Fixing	Fixing Material included. 4 x concrete screw M12x80



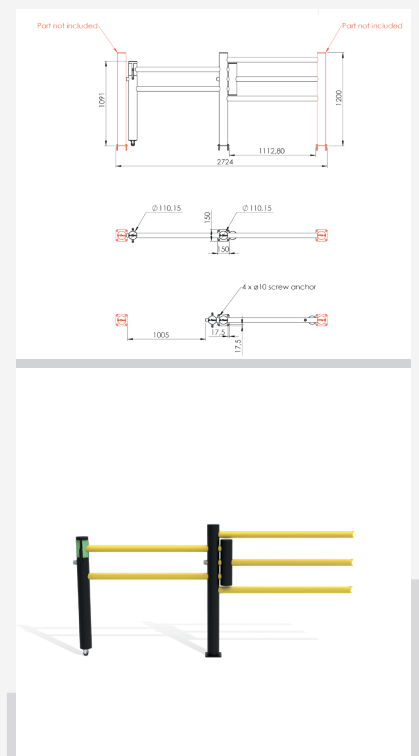
DFOS+DFVB+1500

Article description	Slide Gate for Echo
Item number	DFOS+DFVB+1500
EAN	4250912396432
Customs tariff number	39269097
Width (mm)	3521
Height (mm)	1200
Depth/Length (mm)	225
Installation width (mm)	3226
Width without foot plate (mm):	3521
Depth without foot plate (mm):	200
Deflection zone (mm)	250
Tested to withstand force (Joule):	N/A
Net weight	61,94 kg
Material	Polyethylene
Color	Yellow RAL 1018 - black
Area of application	Indoor and outdoor use
Fixing	Fixing Material included. 4 x concrete screw M12x80



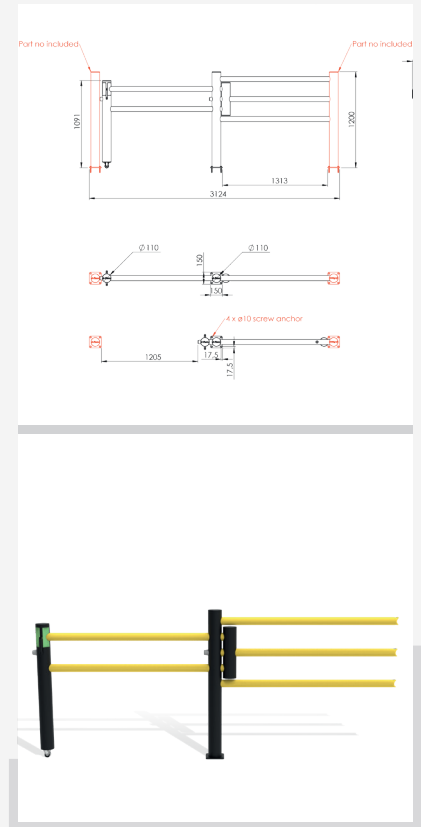
DFOS-DFFS-1000

Article description	Slide Gate for Delta
Item number	DFOS-DFFS-1000
EAN	4250912396388
Customs tariff number	39269097
Width (mm)	2508,38
Height (mm)	1200
Depth/Length (mm)	184
Installation width (mm)	2463,38
Width without foot plate (mm):	2508,38
Depth without foot plate (mm):	184
Deflection zone (mm)	250
Tested to withstand force (Joule):	N/A
Net weight	42,34 kg
Material	Polyethylene
Color	Yellow RAL 1018 - black
Area of application	Indoor and outdoor use
Fixing	Fixing Material included. 4 x concrete screw M10x70



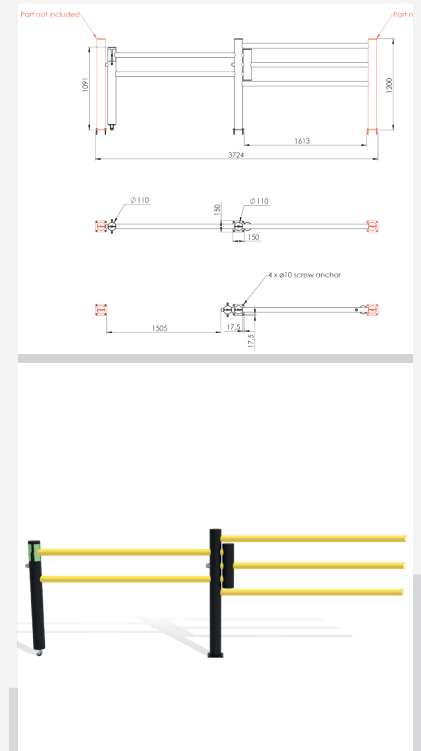
DFOS-DFFS-1200

Article description	Slide Gate for Delta
Item number	DFOS+DFFS-1200
EAN	4250912396395
Customs tariff number	39269097
Width (mm)	2933
Height (mm)	1200
Depth/Length (mm)	184
Installation width (mm)	2888
Width without foot plate (mm):	2933
Depth without foot plate (mm):	184
Deflection zone (mm)	250
Tested to withstand force (Joule):	N/A
Net weight	42,34 kg
Material	Polyethylene
Color	Yellow RAL 1018 - black
Area of application	Indoor and outdoor use
Fixing	Fixing Material included. 4 x concrete screw M10x70



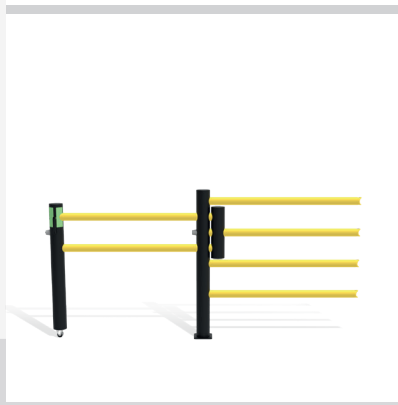
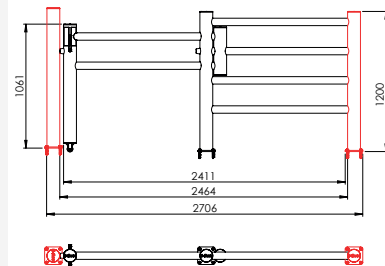
DFOS-DFFS-1500

Article description	Slide Gate for Delta
Item number	DFOS-DFFS-1500
EAN	4250912396401
Customs tariff number	39269097
Width (mm)	3533
Height (mm)	1200
Depth/Length (mm)	184
Installation width (mm)	3488
Width without foot plate (mm):	3533
Depth without foot plate (mm):	184
Deflection zone (mm)	250
Tested to withstand force (Joule):	N/A
Net weight	44,93 kg
Material	Polyethylene
Color	Yellow RAL 1018 - black
Area of application	Indoor and outdoor use
Fixing	Fixing Material included. 4 x concrete screw M10x70



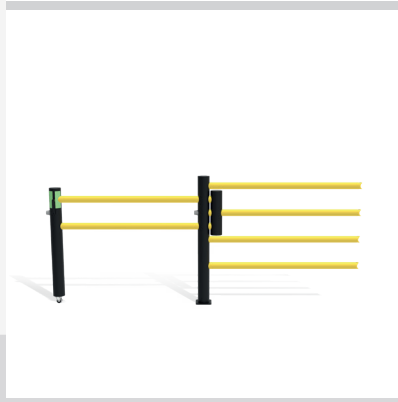
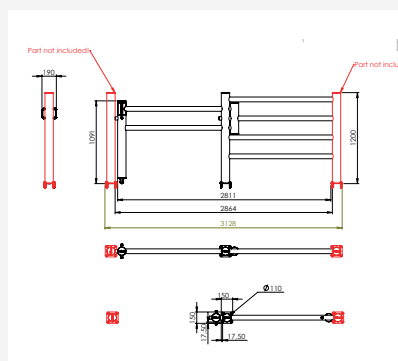
DFOS-4DFFS-1000

Article description	Slide Gate for Delta 4 beams
Item number	DFOS+4DFFS-1000
EAN	4250912396746
Customs tariff number	39269097
Width (mm)	2533
Height (mm)	1200
Depth/Length (mm)	184
Installation width (mm)	2463,38
Width without foot plate (mm):	2533
Depth without foot plate (mm):	184
Deflection zone (mm)	250
Tested to withstand force (Joule):	N/A
Net weight	44,40 kg
Material	Polyethylene
Color	Yellow RAL 1018 - black
Area of application	Indoor and outdoor use
Fixing	Fixing Material included. 4 x concrete screw M10x70



DFOS-4DFFS-1200

Article description	Slide Gate for Delta
Item number	DFOS-4DFFS-1200
EAN	4250912396425
Customs tariff number	39269097
Width (mm)	2933
Height (mm)	1200
Depth/Length (mm)	184
Installation width (mm)	2888
Width without foot plate (mm):	2933
Depth without foot plate (mm):	184
Deflection zone (mm)	250
Tested to withstand force (Joule):	N/A
Net weight	45,65 kg
Material	Polyethylene
Color	Yellow RAL 1018 - black
Area of application	Indoor and outdoor use
Fixing	Fixing Material included. 4 x concrete screw M10x70



DFOS-4DFFS-1500

Article description	Slide Gate for Delta 4 beams
Item number	DFOS+4DFFS-1500
EAN	4250912396746
Customs tariff number	39269097
Width (mm)	3533
Height (mm)	1200
Depth/Length (mm)	184
Installation width (mm)	3488
Width without foot plate (mm):	3533
Depth without foot plate (mm):	184
Deflection zone (mm)	250
Tested to withstand force (Joule):	N/A
Net weight	47,53 kg
Material	Polyethylene
Color	Yellow RAL 1018 - black
Area of application	Indoor and outdoor use
Fixing	Fixing Material included. 4 x concrete screw M10x70

