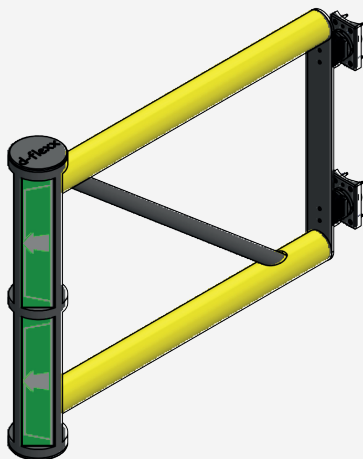
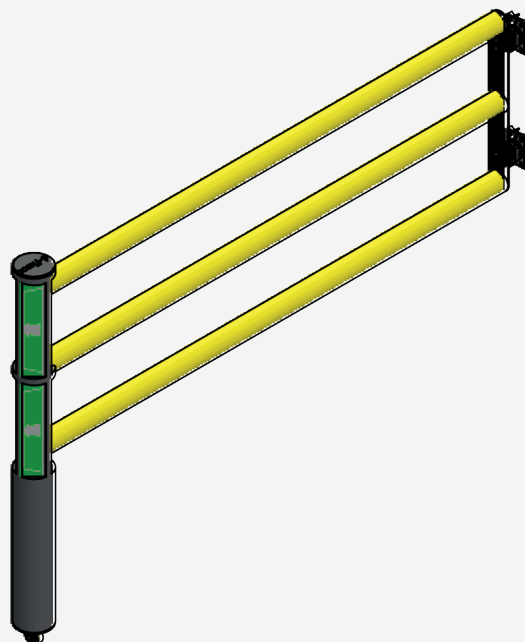




Swingdoor - JULIET FOR ECHO



DFJU-DA800-A
DFJU-DA1000-A
DFJU-DA1200-A



DFJU-DA1500-A
DFJU-DA1750-A
DFJU-DA2000-A

Table of contents

Art. No.	Description	Width	Weight	Page
DFJU+TM	Echo Middle post for Juliet swing door	619 mm	12,8 kg	3
DFJU+TT	Echo T-post 90° for Juliet swing door	1000 mm	16,7 kg	3
DFJU+TW90L	Echo Corner post 90° left for Juliet swing door	619 mm	15,7 kg	4
DFJU+TW90R	Echo Corner post 90° right for Juliet swing door	619 mm	15,7 kg	4
DFJU+TE	Echo End post for Juliet swing door	225 mm	12,8 kg	5
DFJU+TW337.5	Echo Endpost Juliet 337,5°	225 mm	12,8 kg	5
DFJU+TW315	Echo Endpost Juliet 315°	225 mm	12,8 kg	6
DFJU+TW45	Echo Endpost Juliet 45°	225 mm	12,8 kg	6
DFJU+TW67.5	Echo Endpost Juliet 67,5°	225 mm	12,8 kg	7
DFJU+TW22.5	Echo Endpost Juliet 22,5°	225 mm	12,8 kg	7
DFJU+TW292.5	Echo Endpost Juliet 292,5°	225 mm	12,8 kg	8

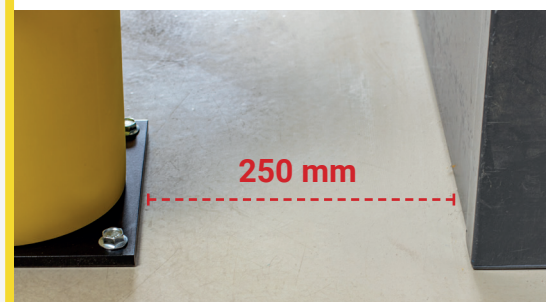
Technical Information

Material properties

Operational temperature range	-40° up to + 50°
Ignition Temperature	350 - 360°C
Flash Point	350 - 360°C
Toxicity	Nontoxic
Chemical Resistance	high - ISO/TR 10358
Hygiene Seals	Non
Standard Warranty	5 years

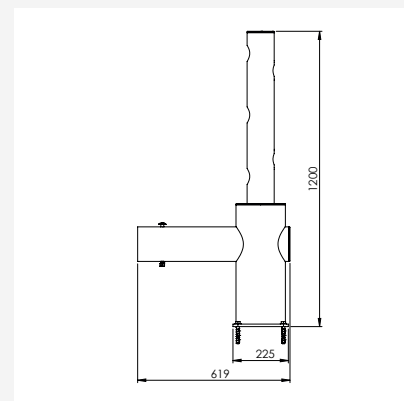
Deflection Zone:

I 250 mm



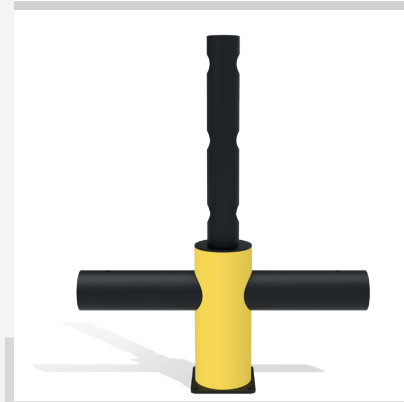
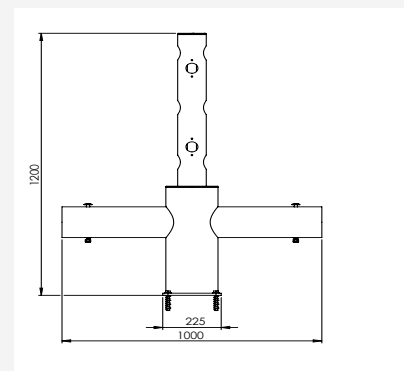
DFJU+TM

Article description	Middle post for Juliet swing door
Item number	DFJU+TM
EAN	4250912312821
Customs tariff number	39269097
Width (mm)	619
Height (mm)	1200
Depth/Length (mm)	225
Installation width (mm)	174
Width without foot plate (mm):	N/A
Depth without foot plate (mm):	200
Deflection zone (mm)	250
Tested to withstand force (Joule):	N/A
Net weight	16 kg
Material	Polyethylene
Color	Yellow - black
Area of application	Indoor and outdoor use
Fixing	Fixing Material included. 4 x concrete screw M12x80



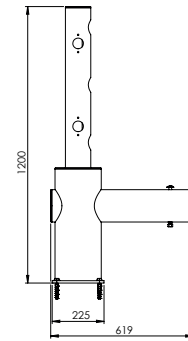
DFJU+TT

Article description	T-post 90° for Juliet swing door
Item number	DFJU+TT
EAN	4250912395053
Customs tariff number	39269097
Width (mm)	1000
Height (mm)	1200
Depth/Length (mm)	225
Installation width (mm)	110
Width without foot plate (mm):	1000
Depth without foot plate (mm):	200
Deflection zone (mm)	250
Tested to withstand force (Joule):	N/A
Net weight	16,7 kg
Material	Polyethylene
Color	Yellow - black
Area of application	Indoor and outdoor use
Fixing	Fixing Material included. 4 x concrete screw M12x80



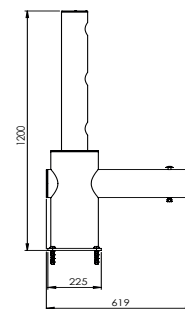
DFJU+TW90L

Article description	Corner post 90° left
Item number	DFJU+TW90L
EAN	4250912395268
Customs tariff number	39269097
Width (mm)	619
Height (mm)	1200
Depth/Length (mm)	225
Installation width (mm)	174
Width without foot plate (mm):	619
Depth without foot plate (mm):	200
Deflection zone (mm)	250
Tested to withstand force (Joule):	N/A
Net weight	15,7 kg
Material	Polyethylene
Color	Yellow - black
Area of application	Indoor and outdoor use
Fixing	Fixing Material included. 4 x concrete screw M12x80



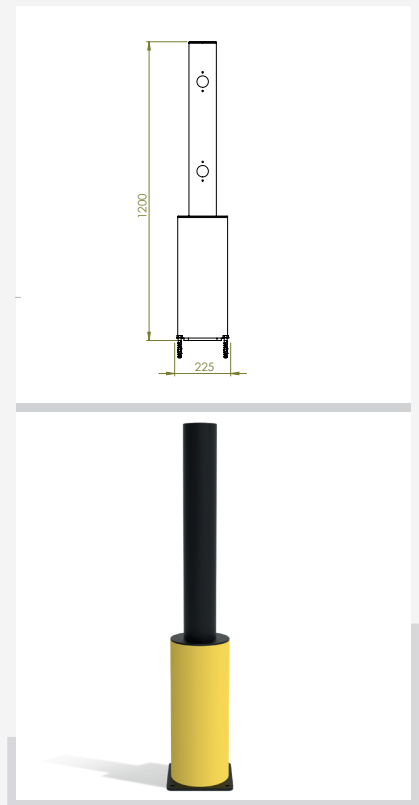
DFJU+TW90R

Article description	Corner post 90° right
Item number	DFJU+TW90R
EAN	4250912395275
Customs tariff number	39269097
Width (mm)	619
Height (mm)	619
Depth/Length (mm)	225
Installation width (mm)	110
Width without foot plate (mm):	619
Depth without foot plate (mm):	200
Deflection zone (mm)	250
Tested to withstand force (Joule):	N/A
Net weight	15,7 kg
Material	Polyethylene
Color	Yellow - black
Area of application	Indoor and outdoor use
Fixing	Fixing Material included. 4 x concrete screw M12x80



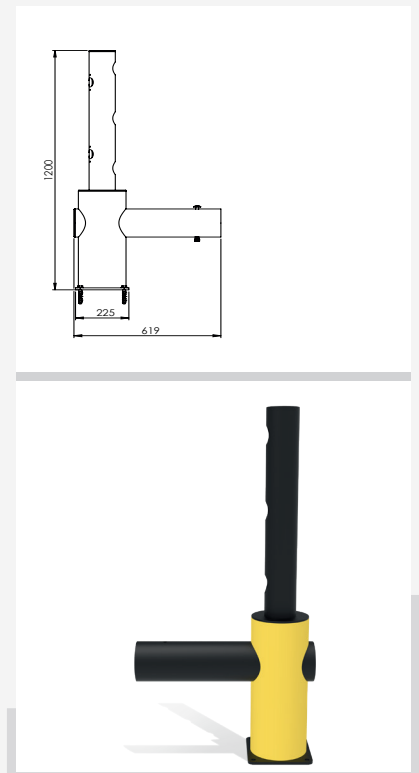
DFJU+TE

Article description	End post
Item number	DFJU+TE
EAN	4250912395046
Customs tariff number	39269097
Width (mm)	225
Height (mm)	1200
Depth/Length (mm)	225
Installation width (mm)	174
Width without foot plate (mm):	200
Depth without foot plate (mm):	200
Deflection zone (mm)	250
Tested to withstand force (Joule):	N/A
Net weight	12,8 kg
Material	Polyethylene
Color	Yellow - black
Area of application	Indoor and outdoor use
Fixing	Fixing Material included. 4 x concrete screw M12x80



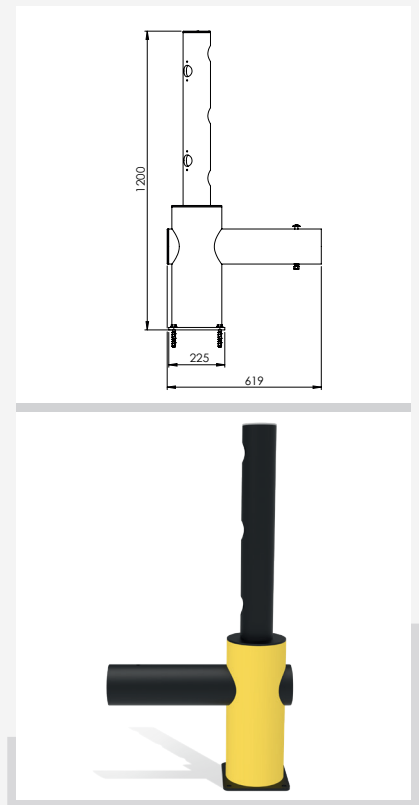
DFJU+TW337.5

Article description	Echo Endpost Juliet 337,5°
Item number	DFJU+TW337.5
EAN	4250912397095
Customs tariff number	39269097
Width (mm)	619
Height (mm)	1200
Depth/Length (mm)	225
Installation width (mm)	174
Width without foot plate (mm):	200
Depth without foot plate (mm):	200
Deflection zone (mm)	250
Tested to withstand force (Joule):	N/A
Net weight	12,8 kg
Material	Polyethylene
Color	Yellow - black
Area of application	Indoor and outdoor use
Fixing	Fixing Material included. 4 x concrete screw M12x80



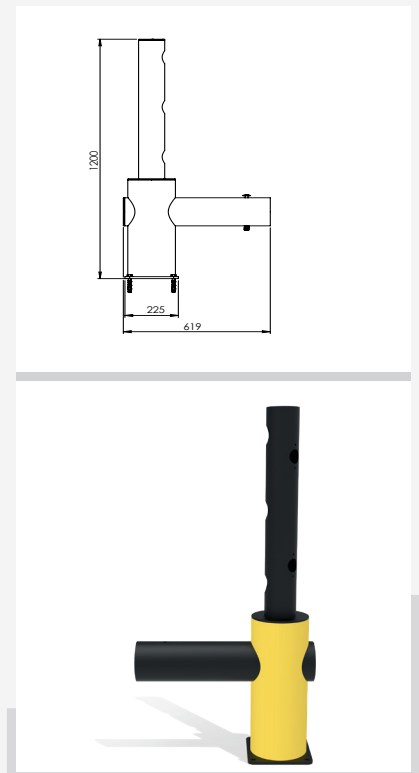
DFJU+TW315

Article description	Echo Endpost Juliet 315°
Item number	DFJU+TW315
EAN	4250912397101
Customs tariff number	39269097
Width (mm)	619
Height (mm)	1200
Depth/Length (mm)	225
Installation width (mm)	174
Width without foot plate (mm):	200
Depth without foot plate (mm):	200
Deflection zone (mm)	250
Tested to withstand force (Joule):	N/A
Net weight	12,8 kg
Material	Polyethylene
Color	Yellow - black
Area of application	Indoor and outdoor use
Fixing	Fixing Material included. 4 x concrete screw M12x80



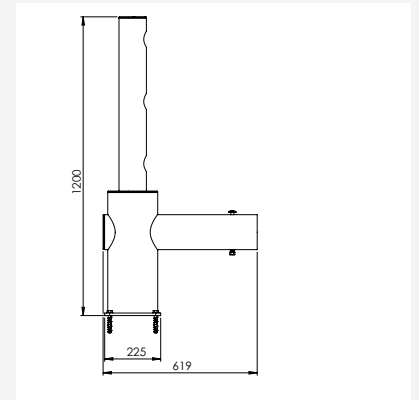
DFJU+TW45

Article description	Echo Endpost Juliet 45°
Item number	DFJU+TW45
EAN	4250912397088
Customs tariff number	39269097
Width (mm)	619
Height (mm)	1200
Depth/Length (mm)	225
Installation width (mm)	174
Width without foot plate (mm):	200
Depth without foot plate (mm):	200
Deflection zone (mm)	250
Tested to withstand force (Joule):	N/A
Net weight	12,8 kg
Material	Polyethylene
Color	Yellow - black
Area of application	Indoor and outdoor use
Fixing	Fixing Material included. 4 x concrete screw M12x80



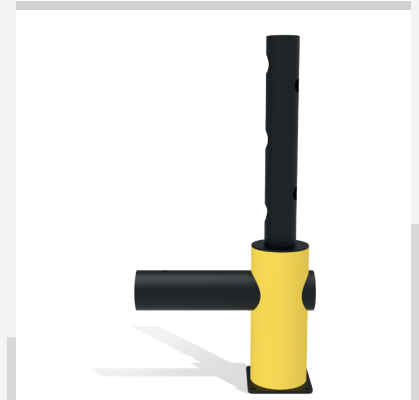
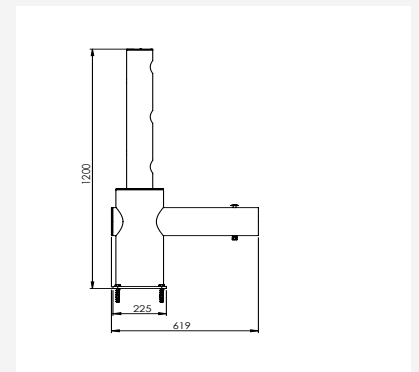
DFJU+TW67.5

Article description	Echo Endpost Juliet 67.5°
Item number	DFJU+TW67.5
EAN	4250912397071
Customs tariff number	39269097
Width (mm)	619
Height (mm)	1200
Depth/Length (mm)	225
Installation width (mm)	174
Width without foot plate (mm):	200
Depth without foot plate (mm):	200
Deflection zone (mm)	250
Tested to withstand force (Joule):	N/A
Net weight	12,8 kg
Material	Polyethylene
Color	Yellow - black
Area of application	Indoor and outdoor use
Fixing	Fixing Material included. 4 x concrete screw M12x80



DFJU+TW22.5

Article description	Echo Endpost Juliet 22.5°
Item number	DFJU+TW22.5
EAN	4250912397057
Customs tariff number	39269097
Width (mm)	225
Height (mm)	1200
Depth/Length (mm)	225
Installation width (mm)	174
Width without foot plate (mm):	200
Depth without foot plate (mm):	200
Deflection zone (mm)	250
Tested to withstand force (Joule):	N/A
Net weight	12,8 kg
Material	Polyethylene
Color	Yellow - black
Area of application	Indoor and outdoor use
Fixing	Fixing Material included. 4 x concrete screw M12x80



DFJU+TW292.5

Article description	Echo Endpost Juliet 292,5°
Item number	DFJU+TW292.5
EAN	4250912397118
Customs tariff number	39269097
Width (mm)	225
Height (mm)	1200
Depth/Length (mm)	225
Installation width (mm)	174
Width without foot plate (mm):	200
Depth without foot plate (mm):	200
Deflection zone (mm)	250
Tested to withstand force (Joule):	N/A
Net weight	12,8 kg
Material	Polyethylene
Color	Yellow - black
Area of application	Indoor and outdoor use
Fixing	Fixing Material included. 4 x concrete screw M12x80

